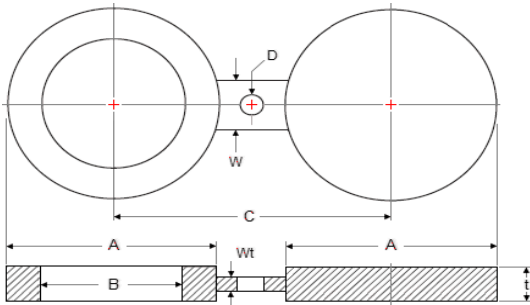


ANSI/ASME B16.48 CLASS 1500 SPECTACLE BLIND FLANGES



Nominal Pipe Size	O.D.	I.D.	Center Line	Thickness	Web Width
inch	A	B	C	t	W
01.Feb	61	16	80	6.4	38
03.Apr	67	21	90	9.7	41
1	76	27	100	9.7	64
1.1/4	86	35	110	9.7	64
1.1/2	95	41	125	12.7	70
2	140	53	165	12.7	70
2.1/2	162	63	190	15.7	76
3	172	78	205	19.1	76
4	206	102	240	22.4	89
5	251	128	290	28.4	89
6	279	154	320	35.1	89
8	349	203	395	41.1	102
10	432	255	480	50.8	114
12	518	303	570	60.5	114
14	575	333	635	66.5	127
16	638	381	705	76.2	133
18	702	429	775	85.9	146
20	752	478	830	95.3	152
24	899	575	990	111.3	178